

Low Profile Off-Center Single-Point



FEATURES

- Capacities 5 to 1000 kg
- Cost-effective load cell for scales of simple construction
- Anodized aluminum alloy
- NTEP Class III 5000S approval from 5 kg to 500 kg
- OIML C3 approval from 5 kg to 500 kg
- OIML C6 approval from 500 kg to 1000 kg
- Platform size: 16" x 24"/40 cm x 60 cm

OPTIONAL FEATURE

- FM approval available

DESCRIPTION

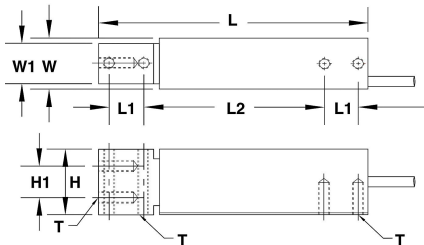
LOC is a low profile single-point load cell designed for platform scales and hanging scales. It is a cost-effective load cell for scales of simple construction.

LOC is constructed of anodized aluminum, and is environmentally sealed up to IP66 levels providing excellent protection against moisture and humidity.

APPLICATIONS

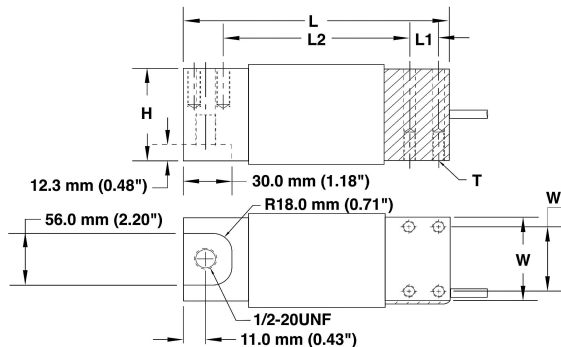
- Platform scales (single load cell)
- Packaging machines
- Dosing/filling
- Belt scales/conveyor scales
- In-motion check weigher

OUTLINE DIMENSIONS in mm

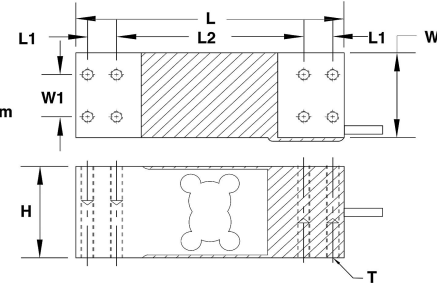


SE
5–150 kg
Cable Length: 3.3'/1m
Platform Size:
16"x16"/40 cm x 40 cm

Wiring diagram
+ Excitation Red
– Excitation Black
+ Signal Green
– Signal White



ME
50–800 kg
Cable Length: 6.7'/2m
Platform Size:
16" x 24"/40 cm x 60 cm



LE
100–1000 kg
Cable Length: 10'/3m
Platform Size:
16" x 24"/40 cm x 60 cm

	CAPACITY (kg)		L	L ₁	L ₂	W	W ₁	H	H ₁	T
SE	5/7/10/15/20/30/50/60/75/100/150	mm	150.0	19.0	100.0	30.0	24.0	39.5	19.0	M6x1.0
		(inch)	5.91	0.75	3.94	1.18	0.94	1.56	0.75	1/4-20UNF
ME	50/100/150/250/300/500/635/800 45A/100A/150A/250A/300A/500A/635A	mm	174.0	19.0	122.0	60.0	30.0	65.0	–	M8 x 1.25
		(inch)	6.85	0.75	4.80	2.36	1.18	2.56	–	5/16-18UNC
LE	100/250/100A/150A/250A/300A/500A/ 635A/800A/1000A	mm	191.0	25.0	125.0	76.2	60.0	75.0	–	5/16-18UNC
		(inch)	7.52	0.98	4.92	3.00	2.36	2.95	–	

*A: American Standard Thread



SPECIFICATIONS

PARAMETER	VALUE				UNIT
Rated capacity—R.C. (E _{max})	5, 7, 10, 15, 20, 30, 50, 60, 75, 100, 150, 250, 300, 500, 635, 800, 1000				kg
NTEP/OIML accuracy class	NTEP	Non-Approved	C3	C4	
Maximum no. of intervals (n)	5000 single**	1000	3000**	6000***	
Y = E _{max} /V _{min}	8000	1400	10000	12000	Maximum available
Rated output—R.O.	2.0				mV/V
Rated output tolerance	10				±% of rated output
Zero balance	1				±% of rated output
Non-linearity	0.020	0.025	0.020	0.015	±% of rated output
Hysteresis	0.020	0.025	0.020	0.015	±% of rated output
Creep error (20 minutes)	0.025	0.030	0.020	0.015	±% of rated output
Zero return (20 minutes)	0.025	0.030	0.020	0.015	±% of rated output
Temperature effect on min. dead load output	0.0022	0.0026	0.0014	0.0012	±% of rated output/°C
Temperature effect on sensitivity	0.0010	0.0015	0.008	0.008	±% of applied output/°C
Non-repeatability	0.020				±% of rated output
Compensated temperature range	-10 to +40				°C
Operating temperature range	-20 to +60				°C
Safe overload	150				% of R.C.
Ultimate overload	200				% of R.C.
Excitation, recommended	10				VDC or VAC RMS
Excitation, maximum	15				VDC or VAC RMS
Input impedance	410±10				Ohms
Output impedance	350±3				Ohms
Insulation resistance	>5000				Mega-Ohms
Construction	Aluminum				
Environmental protection	IP66				

*Capacities 5–500 kg

**Capacities 5–500 kg

***Capacities 500–1000 kg

All specifications subject to change without notice.

FM Approval

Intrinsically Safe: Class I, II, III; Div. 1 Groups A-G

Non-Incendive: Class I; Div. 2 Groups A-D