

大容量偏载单点式称重传感器



特点

- 量程: 0.6 to 200 kg
- 体积小, 外形低矮
- 阳极氧化铝
- NTEP Class III 5000S认证, 量程为3 kg to 30 kg
- OIML C3 认证, 量程为 6 kg to 35 kg
- 平台尺寸: 16"x16"/ 40 cm x 40 cm

可选特性

- 可选的FM认证



描述

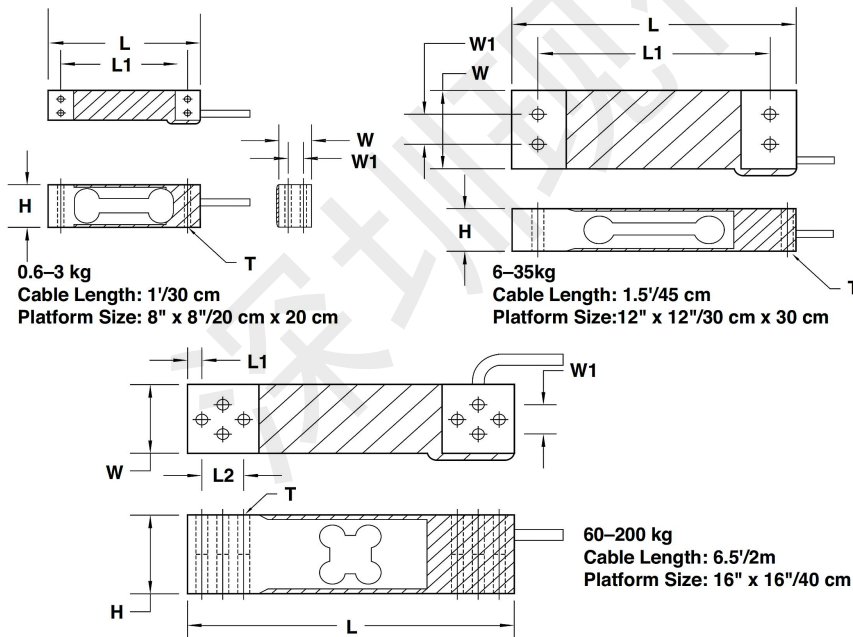
LPS称重传感器专为仅需使用一个称重传感器且要求外形低矮的电子秤和平台秤而设计。它是Celtron单点称重传感器系列中最轻的型号。这种设计非常适合大规模生产作业。

LPS由阳极氧化处理的铝制成, 并经过完全灌封, 防护等级达到IP66, 能提供出色的防潮保护, 有效防止水分侵入。

应用

- 动态检重秤
- 包装机
- 配料/灌装
- 皮带秤/输送机秤
- 零售秤/计数秤

外形尺寸 in mm



Wiring Diagram

- +Excitation (Red)
- Excitation (Black)
- +Signal (Green)
- Signal (White)

CAPACITY (kg)		L	L ₁	L ₂	W	W ₁	H	T
0.6/1/2/3	mm	70.0	58.0	-	15.0	7.0	22.0	M3 x 0.5
	(inch)	2.76	2.28	-	0.59	0.28	0.87	
6/10/15/20	mm	130.0	106.0	-	30.0	15.0	22.0	M6 x 1.0
	(inch)	5.12	4.17	-	1.18	0.59	0.87	
30/35	mm	130.0	106.0	-	40.0	15.0	22.0	M6 x 1.0
	(inch)	5.12	4.17	-	1.57	0.59	0.87	
60/100/200	mm	150.0	7.0	19.0	35.0	15.0	40.0	M6 x 1.0
	(inch)	5.91	0.28	0.75	1.38	0.59	1.57	

All dimensions in mm



参数

PARAMETER	VALUE			UNIT
	NTEP III	Non-Approved	C3	
NTEP/OIML accuracy class	NTEP III	Non-Approved	C3	
Maximum no. of intervals (n)	5000 single ¹	1000	3000 ²	
Y = Emax/Vmin	8000	1400	6000	Maximum available 12000
Standard capacities (Emax)	0.6, 1, 2, 3, 6, 10, 15, 20, 30, 35, 60, 100, 200			kg
Rated output—R.O.	2.0 ³			mV/V
Rated output tolerance	10			±% of rated output
Zero balance	3			±% of rated output
Non-linearity	0.025	0.030	0.020	±% of rated output
Hysteresis	0.025	0.030	0.020	±% of rated output
Non-repeatability	0.020			±% of rated output
Creep error (20 minutes)	0.030	0.030	0.017	±% of rated output
Zero return (20 minutes)	0.030	0.030	0.017	±% of rated output
Temperature effect on min. dead load output	0.0026	0.0026	0.014	±% of rated output/°C
Temperature effect on sensitivity	0.0015	0.0015	0.008	±% of rated output/°C
Compensated temperature range	-10 to +40			°C
Operating temperature range	-20 to +60			°C
Safe overload	150			% of R.C.
Ultimate overload	200			% of R.C.
Excitation, recommended	10			VDC or VACRMS
Excitation, maximum	15			VDC or VACRMS
Input impedance	410±10			
Output impedance	350±3			
Insulation resistance	>5000			M
Construction	Anodized aluminum			
Environmental protection	IP66			

Notes

- (1) Capacities 3–30 kg
- (2) Capacities 6–35 kg
- (3) 1 mV/V for 1 kg and below

All specifications subject to change without notice.

FM Approval

Intrinsically Safe: Class I, II, III; Div. 1 Groups A-G

Non-Incendive: Class I; Div. 2 Groups A-D