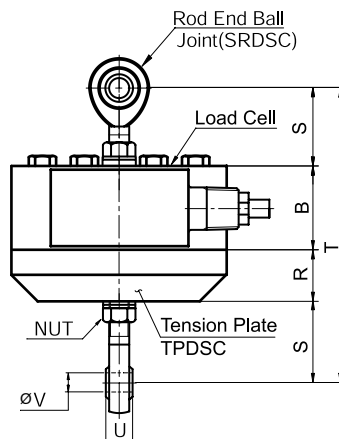
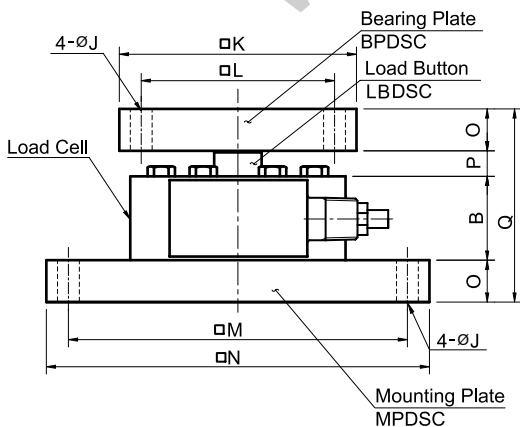
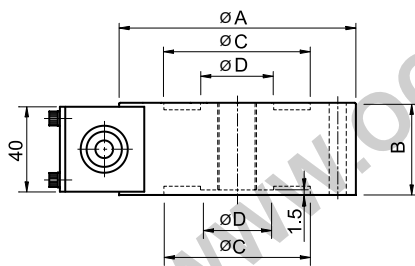
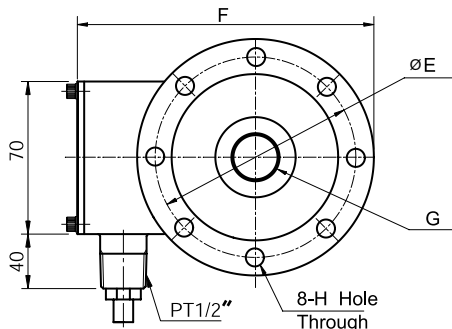


## Model DSCK Series

Compression & tension  
low profile load cell (1t ~ 20t)



The model DSCK is a low profile tension and compression shear type load cell suited to precision applications where headroom and side loads are a problem. All units are machined from a solid billet of tool steel and sealed with welded diaphragms.

- Hermetically sealed
- High rated output(3mV/V)
- Insensitive to side load

### SPECIFICATIONS

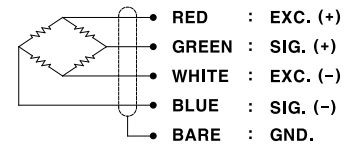
| MODEL                         | DSCK                            |
|-------------------------------|---------------------------------|
| Rated capacity (R.C.)         | 1, 2, 3, 5, 10, 20t             |
| Rated output(R.O.)            | 3mV/V ± 0.3%                    |
| Non-linearity                 | ≤0.05% R.O.                     |
| Hysteresis                    | ≤0.05% R.O.                     |
| Non-repeatability             | ≤0.02% R.O.                     |
| Creep error                   | ≤0.03% in 20min.                |
| Zero balance                  | ≤1% R.O.                        |
| Compensated temperature range | -10 ~ 70°C                      |
| Operating temperature range   | -20 ~ 80°C                      |
| Temp. effect on rated output  | ≤0.03% LOAD/10°C                |
| Temp. effect on zero balance  | ≤0.03% R.O./10°C                |
| Terminal input resistance     | 700 Ohms ± 10 Ohms              |
| Terminal output resistance    | 700 Ohms ± 10 Ohms              |
| Insulation resistance (Min.)  | 2000 MOhms at 50V DC            |
| Excitation voltage            | 10V(Recommended), 15V(Max.)     |
| Electrical connection         | ø9mmx5m(22AWG x 4Core Shielded) |
| Protection class              | meets IP 67                     |
| Safe overload                 | 150% R.C                        |
| Ultimate overload             | 300% R.C                        |

### ORDERING INFORMATION

#### DSCK - 10T

MODEL: DSCK      CAPACITY: 1, 2, 3, 5, 10, 20 ton

### WIRING INFORMATION



|                    | 1 ~5t  | 10t    | 20t    |
|--------------------|--------|--------|--------|
| Load Button        | LBDS1  | LBDS2  | LBDS3  |
| Mounting Plate     | MPDSC1 | MPDSC2 | MPDSC3 |
| Bearing Plate      | BPDSC1 | BPDSC2 | BPDSC3 |
| Tension Plate      | TPDSC1 | TPDSC2 | TPDSC3 |
| Rod End Ball Joint | SRDSC1 | SRDSC2 | SRDSC3 |

Dimension-mm

| Rated Capacity         | A   | B  | C   | D  | E   | F   | G      | H  | J  | K   | L   | M        | N        | O  | P  | Q   | R  | S   | T   | U  | V  | Weight (kg) |
|------------------------|-----|----|-----|----|-----|-----|--------|----|----|-----|-----|----------|----------|----|----|-----|----|-----|-----|----|----|-------------|
| 1~5t (9.81kN ~49.03kN) | 118 | 46 | 86  | 34 | 100 | 153 | M24x2P | 9  | 12 | 130 | 106 | 185 x105 | 210 x130 | 23 | 14 | 106 | 32 | 55  | 248 | 28 | 22 | 4           |
| 10t (98.07 kN)         | 138 | 60 | 98  | 50 | 116 | 180 | M39x2P | 11 | 14 | 160 | 126 | 125 x125 | 160 x160 | 30 | 20 | 140 | 45 | 100 | 405 | 43 | 40 | 6           |
| 20t (196.1 kN)         | 186 | 70 | 133 | 73 | 154 | 228 | M50x2P | 14 | 14 | 200 | 150 | 160 x160 | 200 x200 | 30 | 40 | 170 | 55 | 120 | 485 | 53 | 50 | 12          |

\* Specifications are subject to change without notice

DEC ,2005